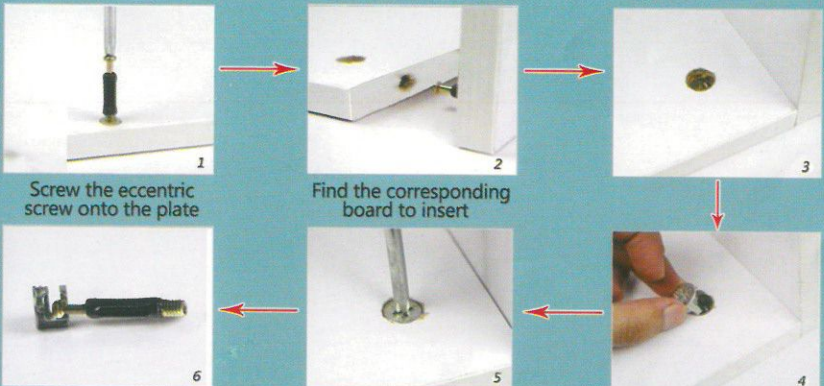


Installation diagram of double pull one door TV cabinet

BC-08

				
Eccentric screw	Eccentric bolt	3.5CM self tapping screw	Small nail	Metal pin
A*16	B*16	C*24	D*20	E*7

Eccentric installation principle



1 Screw the eccentric screw onto the plate

2 Find the corresponding board to insert

3 Rotate 180 degrees clockwise to lock the board

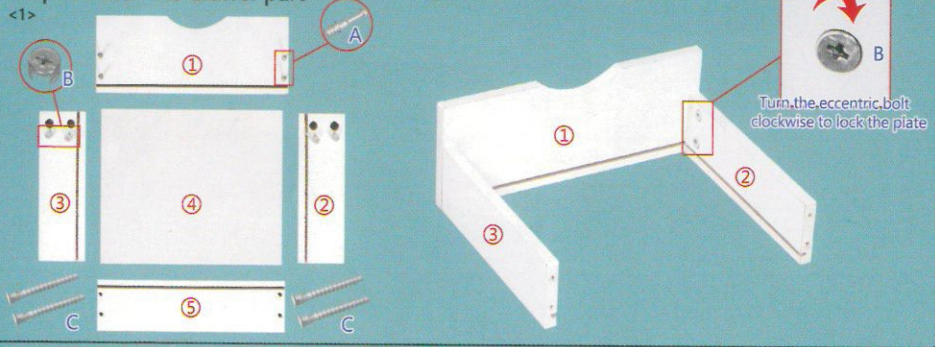
4 Insert the eccentric bolt into the round hole

5 Rotate 180 degrees clockwise to lock the board

6 Insert the eccentric bolt into the round hole

Step 1: Install the drawer part

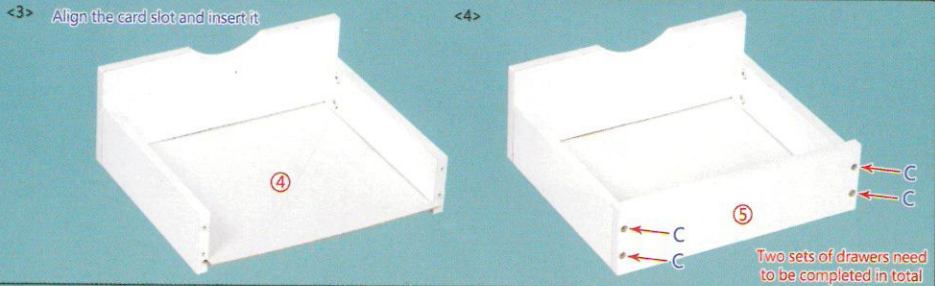
<1>



Turn the eccentric bolt clockwise to lock the plate

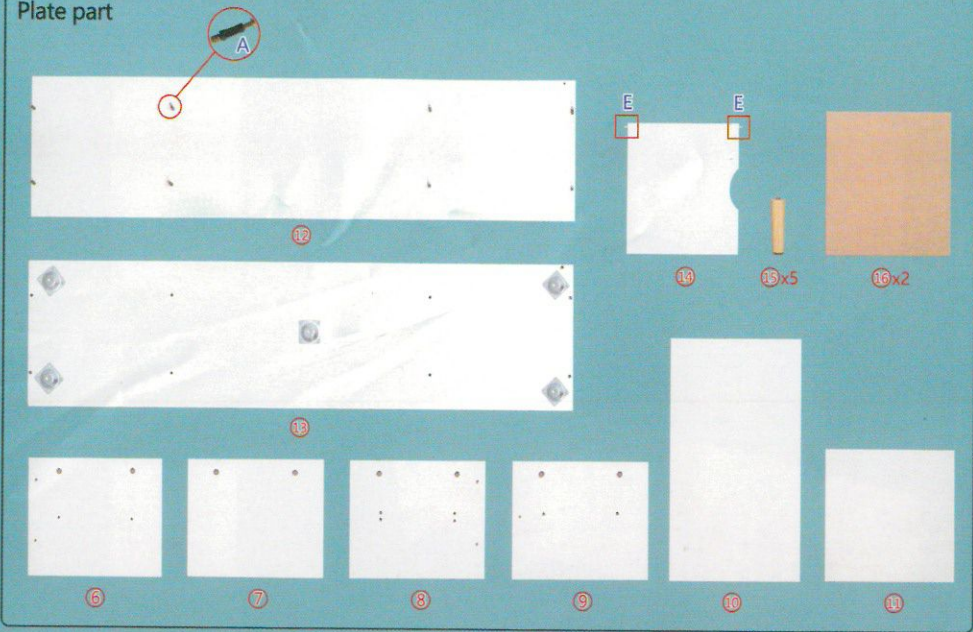
<3> Align the card slot and insert it

<4>



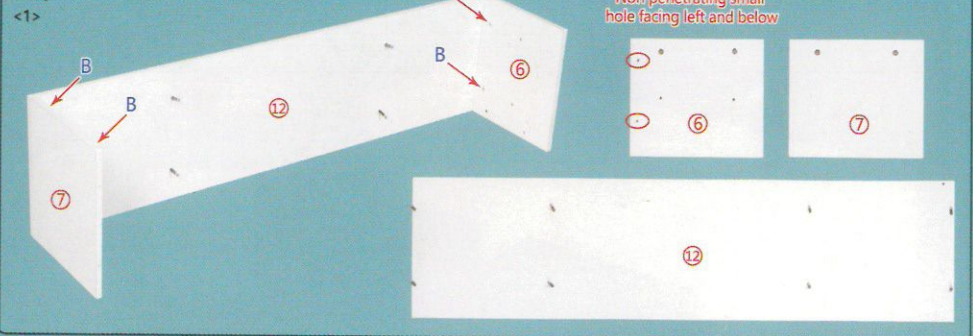
Two sets of drawers need to be completed in total

Plate part



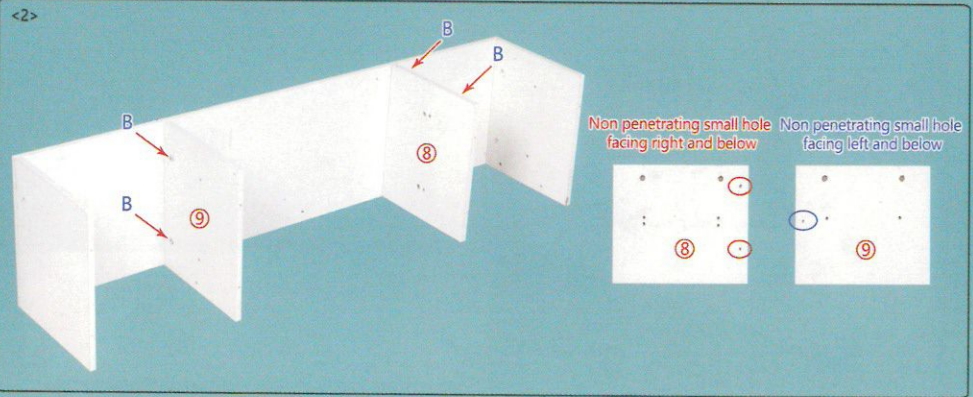
Step 2: Overall Part Installation

<1>



Non penetrating small hole facing left and below

<2>



Non penetrating small hole facing right and below

Non penetrating small hole facing left and below

